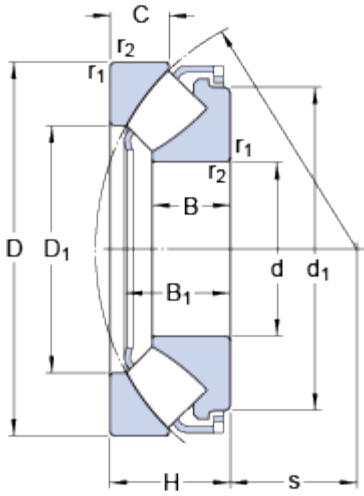


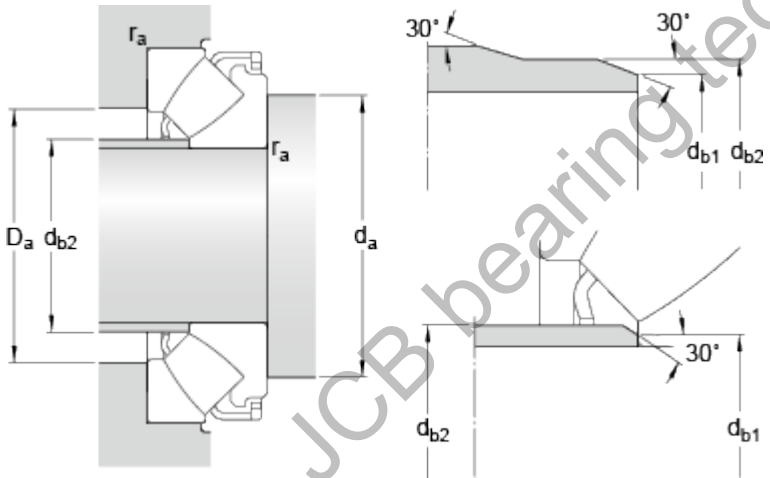
29328 EX

Dimensions



d	140	mm
D	240	mm
H	60	mm
d ₁	≈ 216	mm
D ₁	≈ 177	mm
B	38.5	mm
B ₁	54	mm
C	30	mm
s	82	mm
r _{1,2}	min. 2.1	mm

Abutment dimensions



d _a	min. 185	mm
d _{b1}	max. 148	mm
d _{b2}	max. 154	mm
D _a	max. 208	mm
r _a	max. 2	mm

Calculation data

Basic dynamic load rating	C	980	kN
Basic static load rating	C ₀	2850	kN
Fatigue load limit	P _u	315	kN
Reference speed		1500	r/min
Limiting speed		2600	r/min
Minimum axial load factor	A	0.77	

Mass

Mass bearing		10.5	kg
--------------	--	------	----